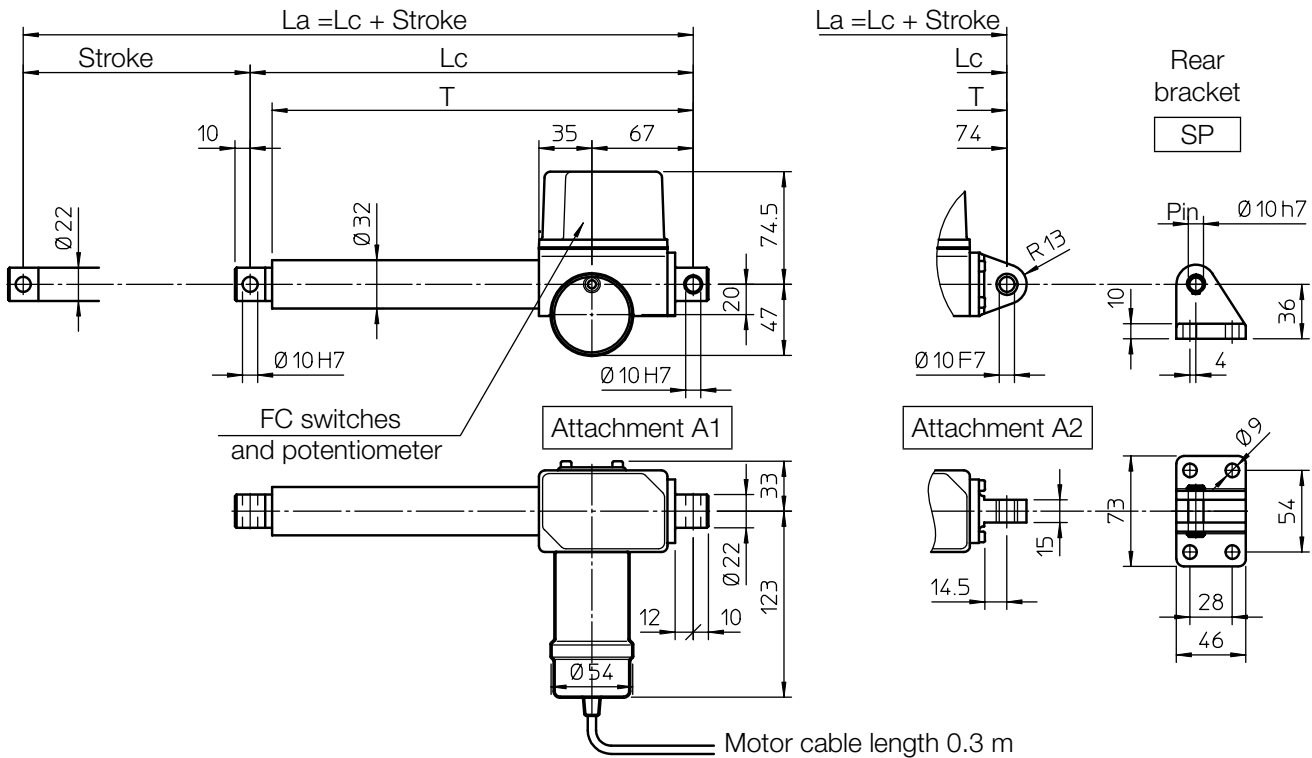


OVERALL DIMENSIONS



Length	Actuator with Attachment A1	Actuator with Attachment A2
Lc [mm]	142 + Stroke	150 + Stroke
T [mm]	129 + Stroke	136 + Stroke

PERFORMANCES AND FEATURES

- Pull-Push load up to 2 000 N
 - Linear speed up to 48 mm/s (DC motor)
 - Linear speed up to 30 mm/s (AC motor)
 - Standard stroke lengths: 100, 150, 200, 250, 300 mm (for different / longer stroke lengths please contact us)
 - Aluminium alloy housing and rear attachment
 - Anodized aluminium outer tube
 - Anodized aluminium push rod – tolerance h8
 - Rear attachment:
 - A1 zinc-plated steel
 - A2 aluminium alloy with bronze bush
 - Stainless steel AISI 303 front attachment
 - Motors: (motor features details on page 69 and 70)
 - 12 or 24 V DC motor with permanent magnets
 - AC 3-phase or 1-phase motor
 - Duty cycle with max load:
 - DC motor max.15% over 10 min at (-10 ... +40) °C
 - AC motor max.30% over 10 min at (-10 ... +40) °C
 - Standard protection:
 - with DC motor IP65
- Test IP6X according to EN 60529 §12 §13.4-13.6
Test IPX5 according to EN 60529 §14.2.5 (tests made with not running actuator)
- with AC motor IP55

- Standard motor mounting position as per sketch (right-hand, code RH)
- Long-life lubrication, maintenance free

ACCESSORIES

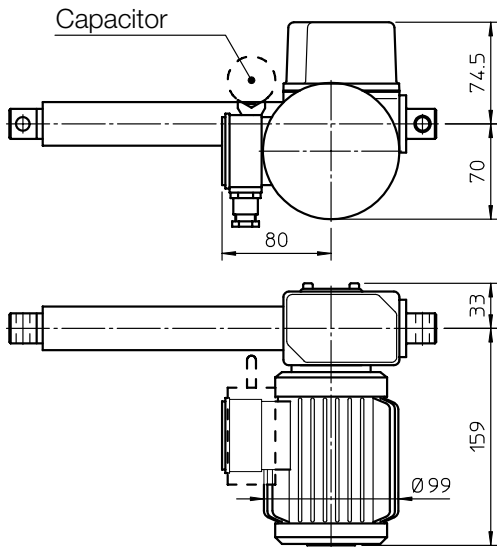
- Stainless steel push rod (code SS)
- Rear bracket (code SP) with rear attachment A2
- Adjustable electric stroke end switches (code FC2)
- Adjustable electric stroke end switches, switching off the motor (not available with AC 3-phase motor) (code FC2X)
- Extra switch for intermediate position (code FC)
- Rotative potentiometer 5kOhm for positioning control (code POR5K)

NOTE: Extra limit switch and rotative potentiometer cannot be selected together

OPTIONS

- Motor mounting position on opposite side (left-hand, code LH)
- Fixing attachment turned at 90° (code RPT 90)

PERFORMANCES with AC 3-phase 50 Hz 230/400 V or 1-phase 50 Hz 230 V motor



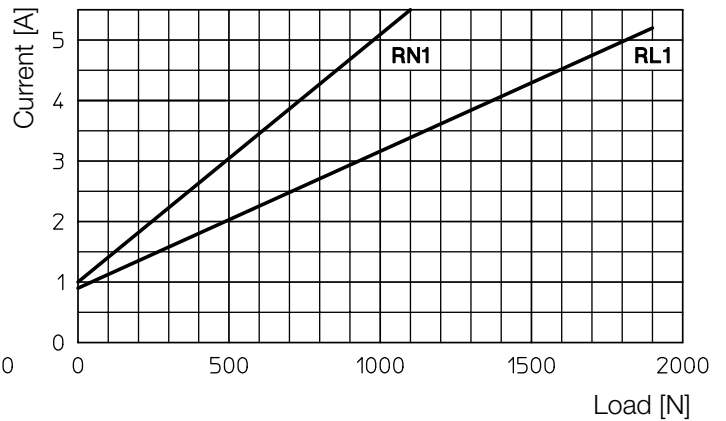
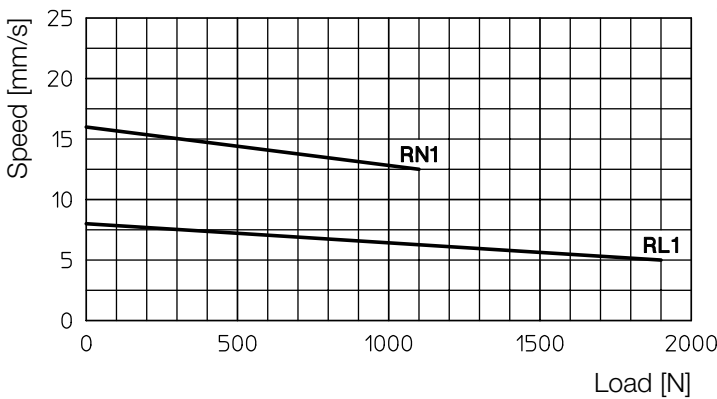
1-start acme screw Tr 13.5×3		
0.06 kW - 2 pole motor		
RATIO	LOAD [N]	SPEED [mm/s]
RN1	1500	11
RL1	2000	5.5

2-starts acme screw Tr 14×8 (P4)		
0.06 kW - 2 pole motor		
RATIO	LOAD [N]	SPEED [mm/s]
RN2	1000	30
RL2	1100	15

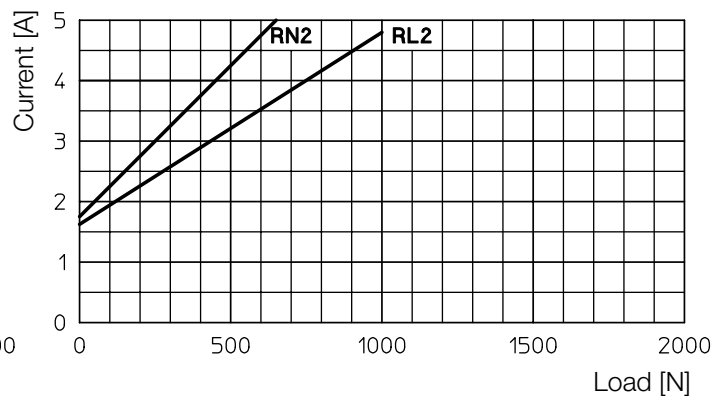
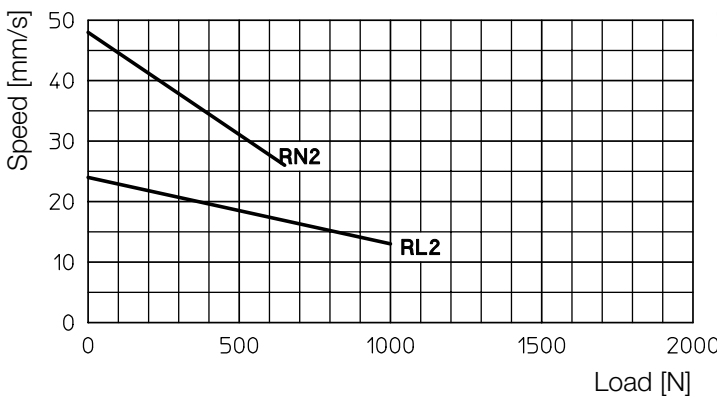
PERFORMANCES with 24 V DC motor

(Performances with 12 V DC motor: same load, linear speed 10 % less, electrical consumption 2 times more)

1-start acme screw Tr 13.5×3



2-starts acme screw Tr 14×8 (P4)



Self-locking conditions

Information about statically self-locking conditions with pull or push load on page 68.

ORDERING CODE EXAMPLE

CLA 20	RL1	C200	CC 24 V	FC2	POR 5K			
Actuator	Selected ratio	Required stroke	Motor	Stroke end switches	Accessories		Options	